

DEUTSCH

FC410LP SIRENENMODUL UND SIRENENMODUL MIT BLINKLICHT**Best.-Nr. 516.800.760 (Sirenenmodul FC410LPSYR für Innenbereiche, rot)****Best.-Nr. 516.800.761 (Sirenenmodul FC410LPSYW für Innenbereiche, weiß)****Best.-Nr. 516.800.762 (Sirenenmodul FC410LPSY für Außenbereiche, IP 65, rot)****Best.-Nr. 516.800.763 (Sirenenmodul mit Blinklicht FC410LPAVR für Innenbereiche, rot)****Best.-Nr. 516.800.764 (Sirenenmodul mit Blinklicht FC410LPAVW für Innenbereiche, weiß)****Best.-Nr. 516.800.766 (Sirenenmodul mit Blinklicht FC410LPAV für Außenbereiche, IP 65, rot)****ANWENDUNG**

Die Sirenenmodule mit und ohne Blinklicht sind zum Einsatz in den adressierbaren FC-Brandmeldesystemen bestimmt. Die Sirene hat zwei Lautstärkeinstellungen, das Blinklicht zwei Blinkfrequenzen (siehe Abschnitt „Schall- und Lichtleistungsdaten“). Die Module sind miteinander synchronisiert, jedoch nicht mit den FC-Meldersockeln mit Sirene (FC430SB) und anderen Elementen (FC410SNM und FC430SAB). Das erste Aufleuchten des Blinklichts wird mit der Sirenenauslösung synchronisiert. Die Module verfügen über einen eingebauten Isolator.

TECHNISCHE DATEN**Elementtyp (Kennung)**

Systemkompatibilität: Adressierbares FC Brandmeldesystem

Elementtyp (Kennung)

Sirenenmodul FC410LPSY-R/W innen: 183
 Sirenenmodul FC410LPSY außen: 183
 Sirenenmodul mit Blinklicht FC410LPAV-R/W innen: 184
 Sirenenmodul mit Blinklicht FC410LPAV außen: 184

Mechanische Daten**Material**

Außenbereiche: ABS FR
 Innenbereiche: ABS/PC FR

Farbe

weiß: 21-0302
 rot: 21-0301

Abmessungen: siehe Abbildung 6

Gewicht

Sirenenmodul innen/außen: 228 g / 310 g
 Sirenenmodul mit Blinklicht innen/außen: 218 g / 300 g

Elektrische Daten

Spannungsversorgung aus der Ringleitung: 20 bis 40 V

Stromaufnahme (Ringleitung)

Im Ruhezustand: 0,45 mA
 Im Alarmzustand (Sirenenmodul)
 niedrige Lautstärke: 3,4 mA
 hohe Lautstärke: 8,5 mA
 Im Alarmzustand (Sirenenmodul mit Blinklicht)
 langsames Blinken und niedrige Lautstärke: 6,5 mA
 schnelles Blinken und niedrige Lautstärke: 7,6 mA
 langsames Blinken und hohe Lautstärke: 11,1 mA
 schnelles Blinken und hohe Lautstärke: 13 mA

Technische Daten des eingebauten Isolators

max. Linienspannung (V_{max}): 40 V
min. Linienspannung in Ruhe (V_{min}): 19 V
max. Dauerstrom in durchgeschaltetem Zustand ($I_{C max}$): 2 A
max. Schaltstrom bei Kurzschluss ($I_{S max}$): 2 A
max. Leckstrom ($I_{L max}$) bei isoliertem Kurzschluss: 6 mA in Meldergruppe (10 mA in den Isolator)
max. Serienwiderstand in leitendem Zustand: 0,25 Ohm

Auslösekriterium (Öffnen)

Linienspannung: < 19 V

Durchschaltkriterium (Schließen)

Linienspannung: 3,3 V

Umgebungsbedingungen**Betriebstemperatur**

Innenbereiche: -10 bis +55 °C
 Außenbereiche: -20 bis +70 °C

Lagertemperatur

Innenbereiche: -25 bis +70 °C
 Außenbereiche: -25 bis +70 °C

Luftfeuchtigkeit ohne Betauung (max.):

95 %

Schutzart

Außenbereiche: IP 21C (EN 60529)
 Innenbereiche: IP 65 (EN 54-3 zugelassen für IP 33C)

Schall- und Lichtleistungsdaten**Schalleistung**

Schalldruckpegel in 1 m (hohe Lautstärke): 103 dB±3
 Schalldruckpegel in 1 m (niedrige Lautstärke): 90 dB±3

Lichtleistung

Blinkleistung/Lichtausbeute (min.): 2 Cd, Raumverteilung 60° bei 1,5 Cd

Blinkfrequenz

schnelles Blinken: 1 Hz
 langsames Blinken: 0,5 Hz
 Synchronisierung (max.): 30 ms innerhalb 30 min

IDENTIFIZIERUNG DER TEILE

Siehe Abbildungen FIG 1, 2, 3, 5 und 6.

1	Programmierschluss	6	Sirenenmodul (mit Blinklicht) innen
2	FC-Zentrale	7	Sirenenmodul (mit Blinklicht) außen
3	801HL Hinweisleuchte	8	Bohr-Markierungen für die stufenrippe
4	Sirenenmodul innen	9	Bohr-Markierungen für die stufenrippe (ober- und unterseite)
5	Sirenenmodul außen		

Einbau

Das Sirenenmodul kann auf eine Unterputzdose mit dem Befestigungsabstand 60 mm oder direkt auf eine entsprechende Montagefläche montiert werden. Das Rückgehäuse des Sirenenmoduls für Innenbereiche verfügt über 2 Bohr-Markierungen (Schlitze) für die Kabeleinführung auf der Oberseite. Auf dem Rückgehäuse des Sirenenmoduls für Außenbereiche sind 3 Bohr-Markierungen (Bohrungen) auf der Ober- und Unterseite vorgefertigt (siehe Abbildung 6). Das Sirenenmodul mit und ohne Blinklicht für Innenbereiche rastet im Gehäuse ein und kann nur mit dem beiliegenden Schlüssel entfernt werden.

Das Sirenenmodul mit und ohne Blinklicht für Außenbereiche ist mit 4 Inbusschrauben am Gehäuse befestigt.

TON- UND LICHTEINSTELLUNGEN

Über Programmier software können folgende Charakteristiken eingestellt werden:

- Tontyp (16 Töne)
- Lautstärke
- Blinkfrequenz

Toneinstellung

Die Tontyp-Einstellung muss bei allen an eine FC-Zentrale angeschlossenen Sirenenmodulen gleich sein.

ADRESSEINSTELLUNG

Im Auslieferungszustand ist die Adresse standardmäßig auf 255 gesetzt. Um die individuelle Systemadresse einzustellen, schließen Sie das Sirenenmodul an den Programmieranschluss an (siehe Abbildung 3).

VERKABELUNG

An die Anschlussklemmen können Kabel mit folgenden Drahtquerschnitten angeschlossen werden:

- Litzendraht: 0,14 mm² bis 1,0 mm²
- Fester Draht: 0,14 mm² bis 1,5 mm²

Es werden geschirmte Brandmeldekabel des Typs J-Y(St)Y nx2x0,8 empfohlen.

ANSCHLUSS

- 1) Die Verkabelung muss entsprechend DIN und VdS erfolgen.
- 2) Alle Leiter müssen erdfrei sein.
- 3) Stellen Sie die korrekte Polarität der Verkabelung sicher, bevor Sie das Sirenenmodul an die Ringleitungsspannung anschließen.
- 4) Schließen Sie das Sirenenmodul an (siehe Abb. 5).

ENGLISH

FC410LP SERIES OF LOOP POWERED SOUNDERS AND SOUNDER-BEACONS

INTRODUCTION

The FC410LP Series of Loop Powered Addressable Sounder/ Sounder-Beacons are designed to be driven from a FireClass control panel via the addressable loop. The FC410LP Series of sounders/sounder beacons consist:

FC410LPSYR	Sounder (indoor use) - red housing
FC410LPSYW	Sounder (indoor use) - white housing
FC410LPSY	Sounder IP65 (outdoor use) - red housing
FC410LPAVR	Sounder-Beacon (indoor use) - red housing
FC410LPAVW	Sounder-Beacon (indoor use) - white housing
FC410LPAV	Sounder-Beacon IP65 (outdoor use) - red housing

The sounder has two volume settings 'High' (103 dB ±3) or 'Low' (90 dB ±3). The beacon has two flash rates 'Slow Flash' (1/2 Hz) or 'Fast Flash' (1 Hz). The FC410LP devices are synchronised, but not synchronous with other FireClass sounders (FC430SB/FC410SNM) and beacons (FC430SAB). The first flash of the beacon is synchronised with the start of the tone. The FC410LP devices have a built in two port isolator.

TECHNICAL SPECIFICATION

Mechanical Characteristics

Dimensions:	See Fig.
Weight:	
Sounder Indoor:	228 g
Sounder Outdoor:	310 g
Sounder-Beacon Indoor:	218 g
Sounder-Beacon Outdoor:	300 g

Materials

Indoor:	ABS FR
Outdoor:	ABS/PC FR
Colour:	White 21-0302
	Red 21-0301

Mounting Requirements: 50 mm or 60 mm Besa box or surface mount.

The indoor back box has to two drill positions (on the bottom) for gland holes. The outdoor back box has 3 drill positions (top and bottom) for gland holes. The indoor sounder/indoor sounder beacon body clips onto the backbox and can only be removed by the use of a special key. The outdoor sounder /outdoor sounder beacon is secured to the backbox by four allen key screws.

Environmental Characteristics

Temperature:	Indoor	Outdoor
Operating:	-10°C to +55°C	-20°C to +70°C
Storage:	-25°C to +70°C	-25°C to +70°C
Humidity:	Up to 95% RH (non-condensing)	
Pressure:	Sounder output is quoted for atmospheric pressure of 1000mBar.	
Vibration:	Meets the requirements of EN 54-3.	
Corrosion:	passes the SO ₂ corrosion test from EN 54-3.	
EMC:	The FC410LP devices comply with the following: Product family standard EN50130-4 in respect of Conducted Disturbances, Radiated Immunity, Electrostatic Discharge, Fast Transients and Slow High Energy.	

EN61000-6-3 for Emissions.

IP Rating:	Indoor	Outdoor
	IP21C (EN 60529)	IP65 (EN54-3 approved to IP33C)

Sound Performance:	high volume	low volume
SPL @ 1m:	103 dB ±3	90 dB ±3

Sound Dispersion

Horizontal:	>90° over 90° (±45° from axis)
Pole Mounted:	>80° over 360° (from axis)

Light Performance:

Flash Power/Light Output:	2 candela minimum on axis, spacial distribution 60° @ 1.5 cd
Flash Rate /s:	Fast Flash 1Hz or Slow Flash 1/2Hz
Synchronisation:	30ms in 30 minutes maximum

Electrical Characteristics

Addressable Loop Voltage:	20 - 40 Vdc
DC Loop Loading	
Quiescent:	450 µA
Alarm:	
Sounder: Low Volume	3.4 mA
Sounder: High Volume	8.5 mA
Sounder + Beacon: Slow Flash + Low Volume	6.5 mA
Sounder + Beacon: Fast Flash + Low Volume	7.6 mA
Sounder + Beacon: Slow Flash + High Volume	11.1 mA
Sounder + Beacon: Fast Flash + High Volume	13 mA

Isolator

Maximum Loop Voltage:	40 Vdc
Minimum Loop Voltage:	19 Vdc
Maximum Rated Continuous Current (Isolator Closed):	2 A
Maximum Rated Switching Current (s/c):	2 A
Maximum Leakage Current (Isolator Open):	6 mA into zone (10 mA into Isolator)
Maximum Series Impedance (Isolator Closed):	0.25 Ω
Isolator Switching Threshold (Isolator Closed to Open):	19V or below
Isolator Switching Threshold (Isolator Open to Closed):	3.3V from s/c

Sounder Tones

Table 1 details the tones available for selection in FireClass Console (Future use expandable to 32 tones).

Approved Tones

The following tones are approved by LPCB to the specifications as shown in Table 2.

Identification of parts

See Figs 1, 2, 3, 4, 5 and 6.

1	Programming Port	6	Indoor Sounder/Beacon
2	FireClass Control Panel	7	Outdoor Sounder/Beacon
3	801HL Remote Indicator	8	Drill position for glands
4	Indoor Sounder	9	Drill positions for glands top and bottom
5	Outdoor Sounder		

Address Programming

The FC410LP devices have a default factory set address of 255, this must be set to the loop address of the device using the FC490ST Service Tool. The sounder is programmed with the address prior to being installed by using the internal programming port (see Fig. 3).

⚠ This device use one address only on the loop.

Device Mode	Name	Tone Description		
		Pattern	Frequency (Hz)	Rate
1	Duct Slow Whoop	Sweep	500 to 1200	500 Hz rising to 1200 Hz over 3.5 s silence 0.5 s repeat
2	Sweep veloce a 7 Hz	Sweep	800 to 970	0.1428 s ramp 7 Hz
3	BS 1 Hz Sweep	Sweep	800 to 970	1 Hz
4	2 Tone	Alternating	660/880	500 ms per tone
5	Temporal 4	Intermittent	880	500 ms on 500 ms off x 4 followed by 1.5 s silence
6	Temporal 3	Intermittent	880	500 ms on 500 ms off x 3 followed by 1.5 s silence
7	March Time Beep	Intermittent	880	500 ms on 500 ms off
8	Continuous 970	Continuous	970	Steady
9	Continuous 850	Continuous	850	Steady
10	DIN 1 Hz Sweep	Sweep	1200 to 500	1200 Hz falling to 500 Hz over 1 s and repeat
11	Banshee LF Buzzer	Sweep	800 to 950	120 Hz
12	3 Hz Banshee Fast Sweep	Sweep	800 to 950	3 Hz
13	9 Hz Banshee Fast Sweep	Sweep	800 to 950	9 Hz
14	Alternating	Alternating	554/440	554 Hz for 100 ms and 440 Hz for 400 ms
15	Yodalarm	Alternating	800/1000	250 ms for each frequency
16	Conventional Bell	Continuous	1450	Steady

Tab. 1 Sounder Tones.

Angle	Continuous 850 Hz		Duct Slow Whoop 500 Hz to 1200 Hz		7 Hz Fast Sweep		Temporal 3 880 Hz	
	40 V	20 V	40 V	20 V	40 V	20 V	40 V	20 V
15°	84.0	83.0	85.4	84.4	84.2	83.4	81.2	79.7
45°	93.9	92.5	95.2	94.2	94.3	93.7	92.8	91.0
75°	96.3	95.1	97.7	96.3	97.3	96.0	95.0	94.3
105°	62.2	94.8	97.0	95.8	96.7	95.5	94.4	93.6
135°	93.1	92.1	94.0	93.3	93.9	93.2	92.0	90.9
165°	82.0	81.8	84.9	84.1	84.6	83.8	81.2	80.9

Tab. 2 Operational Performance – Maximum Volume dB(A).

FC410LP Configuration

Sounder tone (Device Mode), sounder volume output (Sensitivity) and beacon flash rate (Device Mode) are configured in FireClass Console.

Fault Monitoring

Both the sounder and beacon are monitored. For further details on the application of this function, refer to the Technical Publications of the relevant Control and Indicating equipment.

Isolator Operation

The built-in isolator serves as a protection device against short circuits. It operates by isolating the section of line containing the short circuit from devices on the line and from the rest of the line (refer to Fig. 4). Optimum operation requires the line to be wired as a loop, so that a section of line with a short circuit can be isolated between a pair of isolator devices (including FC410LP devices).

In order to enable the isolator's use in a looped circuit, it is capable of passing current in both directions (Loop IN to Loop OUT or Loop OUT to Loop IN). In the event of a line short circuit, the line isolator continues to power its associated FC410LP Sounder or Sounder-Beacon, providing that either Loop IN or Loop OUT remains intact. When a short circuit develops, the adjacent isolator devices will isolate both sides of the loop from the faulty device/cable.

The operation of the FireClass Loop driver means that there are effectively 2 operational modes for the built-in isolator.

- 1) When the loop is first powered, if a section of the line appears as a low impedance (with an equivalent resistance of $<400\Omega$), the isolator will restrict the power to that section of line until the fault is cleared.
- 2) If a short circuit is introduced onto the line when the loop is already powered up, in most instances the controller's internal protection will switch in before the line isolator. The voltage is then removed from the line by the controller, on restoration, the isolator devices will isolate the low impedance section of the line.

CABLING

Cables are to be selected in accordance with the system design document and the requirements of the applicable standards. Cabling should be connected as shown in Fig. 5, ensuring correct polarity.

Each terminal connection will accept wire size up to 2.5mm².

☞ The section is calculated based on the characteristics of the cable and the load.

☞ Suitable glands must be used with the outdoor device to keep the IP65 rating.

ORDERING INFORMATION

FC410LPSYR	Sounder (indoor use) – red housing
FC410LPSYW	Sounder (indoor use) – white housing
FC410LPSY	Sounder IP65 (outdoor use) – red housing
FC410LPAVR	Sounder-Beacon (indoor use) – red housing
FC410LPAVW	Sounder-Beacon (indoor use) – white housing
FC410LPAV	Sounder-Beacon IP65 (outdoor) – red housing

RECYCLING INFORMATION

Customers are recommended to dispose of their used equipments (panels, detectors, sirens, and other devices) in an environmentally sound manner. Potential methods include reuse of parts or whole products and recycling of products, components, and/or materials.

WASTE ELECTRICAL AND ELECTRONIC EQUIPMENT (WEEE) DIRECTIVE



In the European Union, this label indicates that this product should NOT be disposed of with household waste. It should be deposited at an appropriate facility to enable recovery and recycling.

The manufacturer reserves the right to change the technical specifications of this product without prior notice.

SIRENE CON E SENZA LAMPEGGIATORE ALIMENTATE DA LOOP SERIE FC410LP

INTRODUZIONE

La serie FC410LP di Sirene/Sirene con Lampeggiatore Indirizzabile Alimentate da Loop sono progettate per essere pilotate da una centrale FireClass attraverso il Loop indirizzabile. La serie FC410LP di Sirene/Sirene con Lampeggiatore è composta da:

FC410LPSYR	Sirena (uso interno) – rossa
FC410LPSYW	Sirena (uso Interno) – bianca
FC410LPSY	Sirena IP65 (uso esterno) – rossa
FC410LPAVR	Sirena con Lampeggiatore (uso interno) – rossa
FC410LPAVW	Sirena con Lampeggiatore (uso interno) – bianca
FC410LPAV	Sirena con Lampeggiatore IP65 (uso esterno) – rossa

La sirena ha due impostazioni per il livello del volume: 'Alto' (103dB ±3) o 'Basso' (90dB ±3).

Il lampeggiatore ha due velocità di lampeggio: 'Lampeggio Lento' (1/2 Hz) o 'Lampeggio veloce' (1 Hz).

I dispositivi FC410LP sono sincronizzati, ma non lo sono con le altre sirene (FC430SB/FC410SNM) e lampeggiatori (FC430SAB) FireClass.

Il primo lampeggio del Lampeggiatore è sincronizzato con l'inizio del tono.

I dispositivi della serie FC410LP hanno un isolatore a due porte integrato.

CARATTERISTICHE TECNICHE

Caratteristiche meccaniche

Dimensioni: vedere Fig.

Peso

Sirena Interna:	228 g
Sirena Esterna:	310 g
Sirena con Lampeggiatore Interna:	218 g
Sirena con Lampeggiatore Esterna:	300 g

Materiali

Sirene da Interno:	ABS FR
Sirene da Esterno:	ABS/PC FR
Colore:	bianco 21-0302 rosso 21-0301

Requisiti di montaggio: scatola Besa da 50 o 60 mm, o a vista.

Il fondo da interno ha due fori (nella parte inferiore) per passacavi. Il fondo da esterno ha tre fori (nella parte inferiore e superiore) per passacavi.

Il corpo delle Sirene e delle Sirene con Lampeggiatore da interno, si aggancia al fondo e può essere rimosso solo con l'uso di una chiave speciale. Il corpo delle Sirene e delle Sirene con Lampeggiatore da esterno, si fissa al fondo con 4 viti a brugola.

Caratteristiche Ambientali

Temperatura:

	Sirena da Interno	Sirena da Esterno
di Funzionamento:	-10°C + +55°C	-20°C + +70°C
di Stoccaggio:	-25°C + +70°C	-25°C + +70°C

Umidità: fino a 95% UR (senza condensa)

Pressione: la pressione sonora è misurata per una pressione atmosferica di 1000 mBar.

Vibrazione: conforme ai requisiti della EN 54-3.

Corrosione: supera il test di corrosione SO₂ della EN 54-3.

Compatibilità

Elettromagnetica: i dispositivi della serie FC410LP sono conformi alle seguenti norme:
famiglia di prodotto standard EN50130-4 rispetto alle Perturbazioni Dirette, Immunità Irradiata, Scarica Elettrostatica, Transitorie Rapide e Alta Energia Lenta.
EN 61000-6-3 per le Emissioni.

Grado IP: Sirena da Interno Sirena da Esterno
IP21C (EN 60529) IP65 (IP33C per la EN54-3:2007)

Prestazioni Sonore: volume alto volume basso
SPL @ 1m: 103 dB ±3 90 dB ±3

Dispersione Sonora

Orizzontale: >90% su 90° (±45° dall'asse)

Montato a Palo: >80% su 360° (dall'asse)

Caratteristiche

Lampeggio:

Potenza Lampeggio/Intensità in Uscita: sull'asse minimo 2 candela, distribuzione spaziale 60° @ 1.5cd

Velocità Lampeggio: lampeggio veloce 1Hz o lampeggio lento 1/2Hz

Sincronizzazione: massimo 30ms in 30 minuti

Caratteristiche elettriche

Voltaggio Loop Indirizzabile: 20 - 40 Vcc

Carico sul Loop (DC)

A riposo: 450µA

Allarme:

Sirena: Basso Volume	3,4mA
Sirena: Alto Volume	8,5mA
Sirena + Lampeggiatore:	lampeggio Lento + Basso Volume 6,5mA
Sirena + Lampeggiatore:	lampeggio Veloce + Basso Volume 7,6mA
Sirena + Lampeggiatore:	lampeggio Lento + Alto Volume 11,1mA
Sirena + Lampeggiatore:	lampeggio Veloce + Alto Volume 13mA

Isolatore

Massimo Voltaggio sul Loop: 40 Vcc

Minimo Voltaggio sul Loop: 19 Vcc

Massima Corrente Continua

Nominale (Isolatore Chiuso): 2A

Massima Corrente

Commutata Nominale (s/c): 2A

Massima Corrente di dispersione (Isolatore Aperto): 6mA nella zona (10mA nell' isolatore)

Massima Impedenza di serie

(Isolatore Chiuso): 0,25Ω

Soglia di commutazione isolatore

(Transizione da Chiuso ad Aperto): 19V o sotto

Soglia di commutazione isolatore

(Transizione da Aperto a Chiuso): 3,3V da s/c

Suoni Sirene

La tabella 1 mostra i toni disponibili, selezionabili nel Programma Software. (Espandibile a 32 toni, uso futuro).

Suoni Approvati

Nella tabella 2 sono mostrate le specifiche dei toni approvati LPCB.

Identificazione delle parti

Vedere le figure 1, 2, 3, 4, 5 e 6.

1	Porta di programmazione	6	Sirena/lampeggiatore da interno
2	Centrale FireClass	7	Sirena/lampeggiatore da esterno
3	801HL LED Indicatore remoto	8	Posizione dei fori per boccole /raccordi
4	Sirena da interno	9	Posizione dei fori per boccole /raccordi superiori e inferiori
5	Sirena da esterno		

Modalità Dispositivo	Nome	Descrizione Toni		
		Modello	Frequenza (Hz)	Ritmo
1	Olandese Whoop Lento	Sweep	500 a 1200	500 Hz aumenta a 1200 Hz sopra i 3,5 s di silenzio di 0,5 s, ripetere
2	Sweep Veloce a 7 Hz	Sweep	800 a 970	0.1428 s rampa 7 Hz
3	BS Sweep 1 Hz	Sweep	800 a 970	1 Hz
4	Tono 2	Alternato	660/880	500 ms per tono
5	Temporale 4	Intermittente	880	500 ms on 500 ms off x 4 seguito da 1,5 s di silenzio
6	Temporale 3	Intermittente	880	500 ms on 500 ms off x 3 seguito da 1,5 s di silenzio
7	Suono a tempo di marcia	Intermittente	880	500 ms on 500 ms off
8	Continuo 970	Continuo	970	Costante
9	Continuo 850	Continuo	850	Costante
10	DIN Sweep 1 Hz	Sweep	1200 a 500	1200 Hz scende a 500 Hz sopra 1 s, ripetere
11	Banshee LF Buzzer	Sweep	800 a 950	120 Hz
12	Banshee Sweep Veloce 3 Hz	Sweep	800 a 950	3 Hz
13	Banshee Sweep Veloce 9 Hz	Sweep	800 a 950	9 Hz
14	Alternato	Alternato	554/440	554 Hz per 100 ms e 440 Hz per 400 ms
15	Yodalarm	Alternato	800/1000	250 ms per ogni frequenza
16	Sirena convenzionale	Continuo	1450	Costante

Tab. 1 Toni Sirena.

Angolo	Continuo 850 Hz		Olandese Whoop Lento 500 Hz a 1200 Hz		Sweep Veloce 7 Hz		Temporale 3 880 Hz	
	40 V	20 V	40 V	20 V	40 V	20 V	40 V	20 V
15°	84,0	83,0	85,4	84,4	84,2	83,4	81,2	79,7
45°	93,9	92,5	95,2	94,2	94,3	93,7	92,8	91,0
75°	96,3	95,1	97,7	96,3	97,3	96,0	95,0	94,3
105°	62,2	94,8	97,0	95,8	96,7	95,5	94,4	93,6
135°	93,1	92,1	94,0	93,3	93,9	93,2	92,0	90,9
165°	82,0	81,8	84,9	84,1	84,6	83,8	81,2	80,9

Tab. 2 Prestazioni di funzionamento – Volume Massimo dB(A).

Impostazione Indirizzo

L'indirizzo di fabbrica delle Sirene serie FC410LP è 255, questo deve essere impostato all'indirizzo di loop del dispositivo tramite lo strumento per la programmazione dei dispositivi indirizzabili FC490ST. L'indirizzo della sirena può essere programmato prima dell'installazione usando la porta di programmazione interna (vedere Fig.3).

☞ Nota: questo dispositivo impegna un solo indirizzo del loop.

Configurazione della serie FC410LP

Nel programma software FireClass Console sono configurati il Tono Sirena (Modalità Dispositivo), il volume di uscita della sirena (Sensibilità) e la velocità di lampeggio del lampeggiatore (Modalità Dispositivo).

Controllo Guasti

Sia la sirena che il lampeggiatore sono monitorati. Per ulteriori informazioni sull'applicazione di queste funzioni, fare riferimento alle istruzioni tecniche della centrale e alle indicazioni fornite con le apparecchiature.

Utilizzo Isolatore

L'isolatore integrato serve come dispositivo di protezione contro i corti circuiti. Opera isolando il tratto di linea che contiene il corto circuito dai dispositivi sulla linea e dal resto della linea (vedere fig. 4). Il funzionamento ottimale richiede che la linea sia collegata come un Loop, in modo che una sezione di linea con un corto circuito tra una coppia di dispositivi isolatori (compresi i dispositivi FireClass della serie FC410LP) può essere isolata. Per consentire l'uso dell'isolatore in un circuito loop, la corrente deve circolare in entrambe le direzioni (dal Loop IN al Loop OUT o dal Loop OUT al Loop IN). In caso di un corto circuito, l'isolatore di linea continua ad alimentare i propri dispositivi FireClass della serie FC410LP Sirena o Sirena-Lampeggiatore, a condizione che il Loop IN o il Loop OUT rimanga intatto. Quando avviene un corto circuito, gli isolatori adiacenti isoleranno entrambi i lati del Loop dal dispositivo/cavo difettoso. Il funzionamento dell'interfaccia Loop FireClass denota che ci sono effettivamente 2 modalità operative per l'isolatore integrato.

1) Quando per primo viene alimentato il Loop, se una sezione della linea mostra una bassa impedenza (con una resistenza equivalente di <math><400\Omega</math>), l'isolatore limiterà l'alimentazione a quella sezione di linea fino a quando il guasto non verrà eliminato.

2) Se avviene un corto circuito sulla linea quando il Loop è già alimentato, nella maggior parte dei casi la protezione interna della centrale commuta prima dell'isolatore di linea. Viene quindi tolta tensione alla linea da parte della centrale, al ripristino, i dispositivi isolatori isoleranno la sezione a bassa impedenza della linea.

COLLEGAMENTI

I cavi devono essere selezionati in base alle caratteristiche di progetto ed in conformità alle specifiche richieste dalle norme applicabili. I cavi devono essere collegati come mostrato in figura 5 rispettando la corretta polarità. La sezione massima del cavo collegabile ad ogni morsetto è di 2,5 mm².

☞ La sezione va calcolata in base alle caratteristiche del cavo e del carico.

☞ Adeguate pressacavi devono essere utilizzati con il dispositivo esterno per mantenere il grado IP65.

INFORMAZIONI PER GLI ORDINI

FC410LPSYR	Sirena (uso interno) – rossa
FC410LPSYW	Sirena (uso interno) – bianca
FC410LPSY	Sirena IP65 (uso esterno) – rossa
FC410LPAVR	Sirena con Lampeggiatore (uso interno) – rossa
FC410LPAVW	Sirena con Lampeggiatore (uso interno) – bianca
FC410LPAV	Sirena con Lampeggiatore IP65 (uso esterno) – rossa

INFORMAZIONI SUL RICICLAGGIO

Si consiglia ai clienti di smaltire i dispositivi usati (centrali, rilevatori, sirene, accessori elettronici, ecc.) nel rispetto dell'ambiente. Metodi potenziali comprendono il riutilizzo di parti o di prodotti interi e il riciclaggio di prodotti, componenti e/o materiali.

DIRETTIVA RIFIUTI DI APPARECCHIATURE ELETTRICHE ED ELETTRONICHE (RAEE - WEEE)



Nell'Unione Europea, questa etichetta indica che questo prodotto NON deve essere smaltito insieme ai rifiuti domestici. Deve essere depositato in un impianto adeguato che sia in grado di eseguire operazioni di recupero e riciclaggio.

Il costruttore si riserva il diritto di modificare le specifiche tecniche di questo prodotto senza preavviso.



Fig. 1 Sirenenmodul FC410LPSY.
Sounder FC410LPSY.
Sirena FC410LPSY.



Fig. 2 Sirenenmodul mit Blinklicht FC410LPAV, IP65.
Sounder with Beacon FC410LPAV, IP65.
Sirena con lampeggiatore FC410LPAV, IP65.

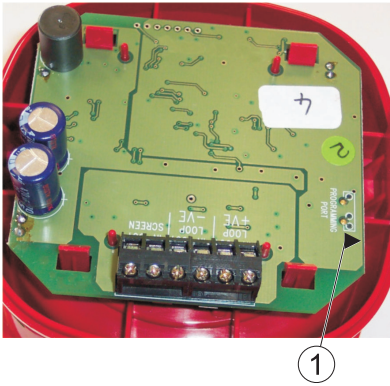


Fig. 3 Programmieranschluss.
FC410LP Series Programming Port.
Porta di Programmazione della serie FC410LP.

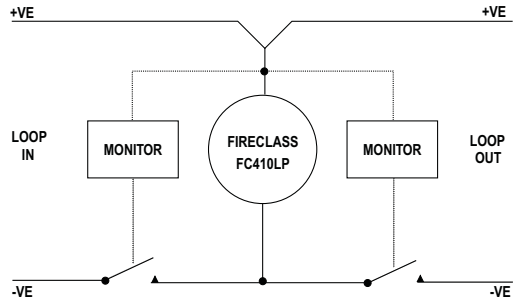


Fig. 4 Simplified Isolator Diagram.
Diagramma semplificato dell'Isolatore.

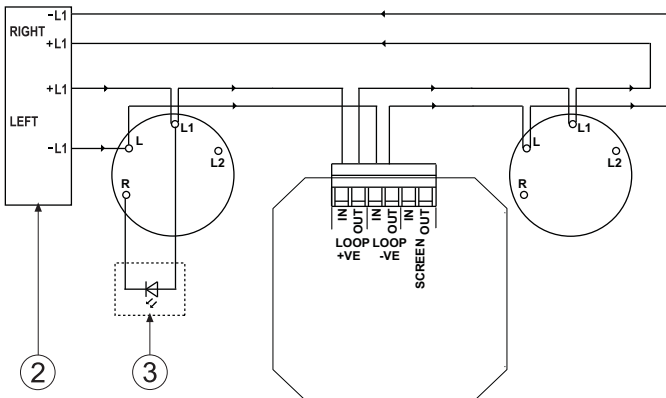



Fig. 5 Anschlussschema.
Simplified Wiring Diagram.
Diagramma semplificato dei collegamenti.

 0832 Thorn Security Ltd Dunhams Lane Letchworth SG6 1BE UK 07	
0832-CPD-0571 EN 54-3:2001 + A1:2002 EN 54-17:2005 Addressable loop powered Type A sounder for use in fire detection and alarm systems for buildings FC410LPSYR FC410LPSYW	0832-CPD-0572 EN 54-3:2001 + A1:2002 EN 54-17:2005 Addressable loop powered Type B sounder for use in fire detection and alarm systems for buildings FC410LPSY
0832-CPD-0573 EN 54-3:2001 + A1:2002 EN 54-17:2005 Addressable loop powered Type A sounder beacon for use in fire detection and alarm systems for buildings FC410LPAVR FC410LPAVV	0832-CPD-0574 EN 54-3:2001 + A1:2002 EN 54-17:2005 Addressable loop powered Type B sounder beacon for use in fire detection and alarm systems for buildings FC410LPAV
Installation Instructions: 120.515.052	

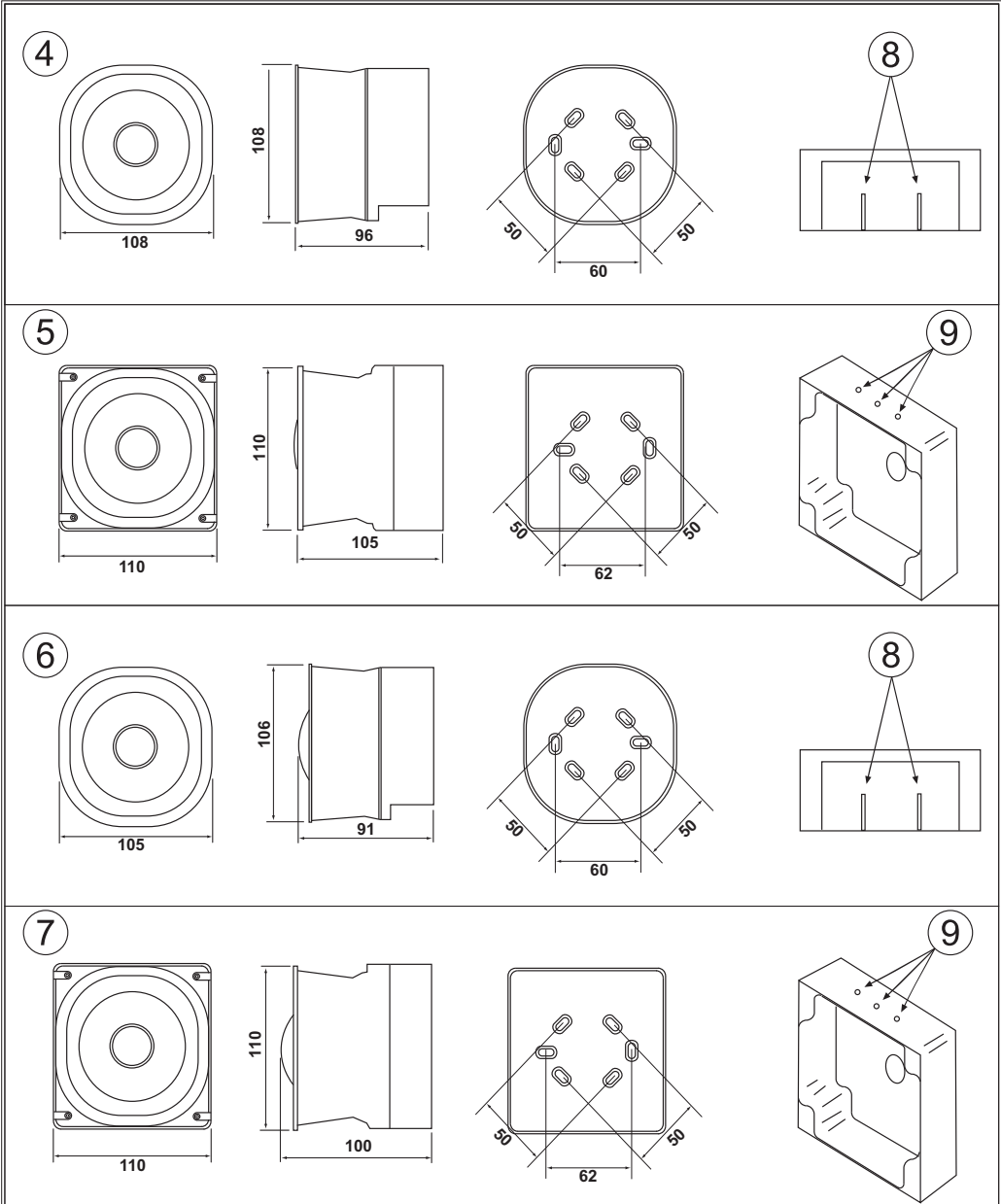


Fig. 6 Außen- und Befestigungsmaße.
 Sounder and Sounder-Beacon - Overall and Fixing Dimensions.
 Sirena e Sirena-Lampeggiatore - Dimensioni Generali e per il Fissaggio.

© FireClass

Via Gabbiano 22, Z. Ind. S. Scolastica
 64013 Corropoli (TE), Italy

Hillcrest Business Park Cinderbank Dudley West Midlands
 DY2 9AP United Kingdom

www.fireclass.co.uk
 FireclassSales@tycoint.com

